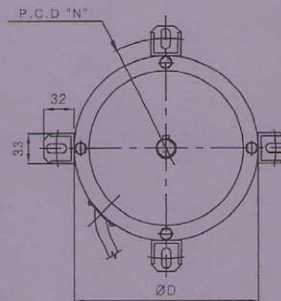
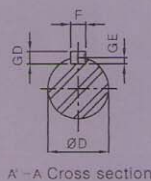
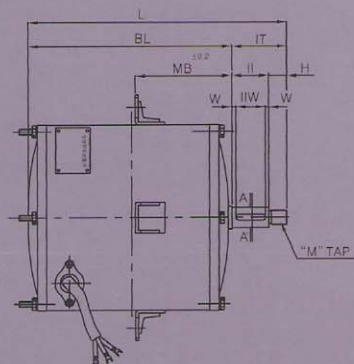


GRAIN DRYING FAN HEATER INDUCTION MOTORS

< Grain drying induction motor >

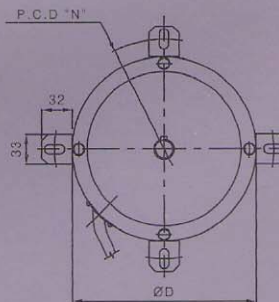
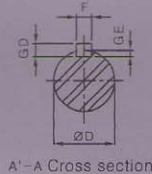
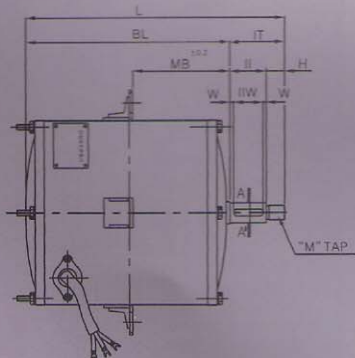


(UNIT : mm)

NO	FRAME NO.	OUT PUT(KW)	DRIVE END(P.L)										MB	BL	øP.	L	"N"	"M" TAP	BEARING		W.T (Kg)	Lead lines	direction
			φD	F	GD	GE	II	IIW	W	H	IT	PL							OPL				
1	90S	0.51Kw-4P	16h6	5	5	3	25	20	2.5	17	42	105	180	167	240	205	M12 x 1.75 (Screw to the left)	6304zz	6304zz	17	CTF 2.0Sqx3Px2500Lxφg	Clockwise	
2	90L	1.01Kw-4P	16h6	5	5	3	30	25	2.5	18	48	132	207	167	270	205	M12 x 1.75 (Screw to the left)	6304zz	6304zz	20	CTF 2.0Sqx3Px2500Lxφg	Clockwise	
3	90L	1.5Kw-4P	24h6	7	7	4	40	35	2.5	21	61	116	257	167	318	205	M12 x 1.75 (Screw to the left)	6205zz	6205zz	30	CTF 2.0Sqx3Px3000Lxφg	Clockwise	
4	112S	1.35Kw-4P	22h6	7	7	4	35	31	2	20	55	111	230	202	285	235	M16 x 2.0 (Screw to the left)	6205zz	6205zz	35	CTF 3.5Sqx3Px2350Lxφ15	Clockwise	
5	112M	1.5Kw-4P	22h6	7	7	4	33	28	2.5	21	54	117	239	202	290	235	M16 x 2.0 (Screw to the left)	6205zz	6205zz	37	CTF 3.5Sqx3P3000Lxφ13	Clockwise	
6	112L	2.2Kw-4P	22h6	7	7	4	35	30	2.5	20	55	111	247	202	302	235	M16 x 2.0 (Screw to the right)	6205zz	6205zz	40	CTF 3.5Sqx3Px3000Lxφ13	Counter-clockwise	

Note : Specifications can be changed with customer's needs.

< Fan heater induction motor >



(UNIT : mm)

NO	FRAME NO.	OUT PUT(KW)	DRIVE END(P.L)										MB	BL	øP.	L	"N"	"M" TAP	BEARING		W.T (Kg)	Lead lines	Direction
			φD	F	GD	GE	II	IIW	W	H	IT	PL							OPL				
1	90L	1.01Kw-4P	16h6	5	5	3	30	25	2.5	18	48	132	207	167	270	205	M12 x 1.75 (Screw to the right)	6304zz	6304zz	20	CTF 2.0Sqx3Px2500Lxφg	Counter-clockwise	
2	90L	1.1Kw-4P	22h6	7	7	4	33	28	2.5	24	57	117	216	167	273	205	M12 x 2.0 (Screw to the right)	6205zz	6205zz	28	CTF 3.5Sqx3Px2500Lxφ13	Counter-clockwise	
3	90L	1.5Kw-4P	24h6	7	7	4	40	35	2.5	21	61	116	257	167	318	205	M12 x 1.75 (Screw to the right)	6205zz	6205zz	30	CTF 2.0Sqx3Px3000Lxφg	Counter-clockwise	
4	112S	1.35Kw-4P	22h6	7	7	4	35	31	2	20	55	111	230	202	285	235	M16 x 2.0 (Screw to the right)	6205zz	6205zz	35	2RNCT 3.5Sqx3Px2350Lxφ15	Counter-clockwise	
5	112M	1.5Kw-4P	22h6	7	7	4	33	28	2.5	21	54	117	239	202	290	235	M16 x 2.0 (Screw to the right)	6205zz	6205zz	37	CTF 3.5Sqx3P3000Lxφ13	Counter-clockwise	
6	112L	2.2Kw-4P	22h6	7	7	4	35	30	2.5	20	55	111	247	202	302	235	M16 x 2.0 (Screw to the left)	6205zz	6205zz	40	CTF 3.5Sqx3Px3000Lxφ13	Clockwise	

Note : Specifications can be changed with customer's needs.